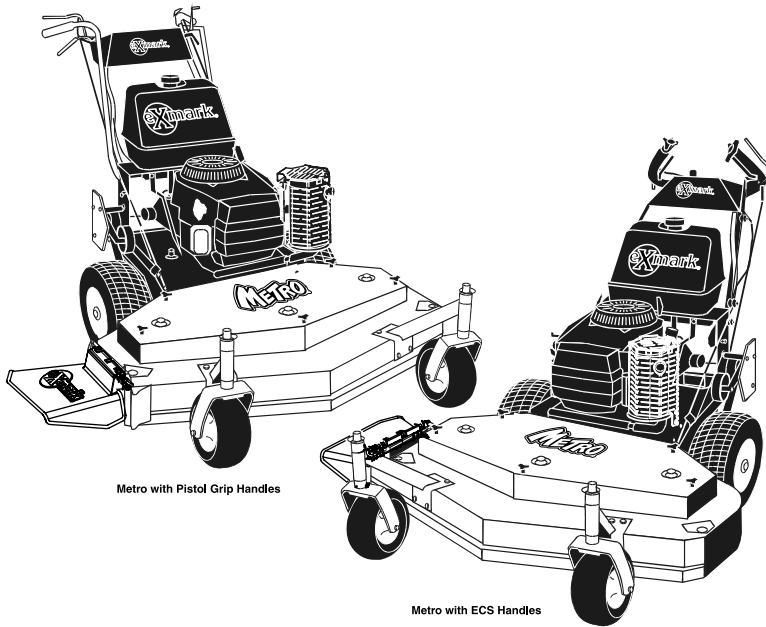


# eXmark®



## **METRO®**

**For Serial Nos.  
790,000 & Higher**  
Part No. 4500-353 Rev. A

# Parts Manual

**EXMARK PARTS PLUS**

***PARTS***

**OVERNIGHT**  
**OR *FREE*\***

If your Exmark dealer does not have the Exmark part in stock, Exmark will get the parts to the dealer the next business day or the part will be FREE Guaranteed!! (Some restrictions apply. See your participating Exmark Dealer for details.)



**READ OPERATOR'S MANUAL BEFORE  
OPERATING OR SERVICING EXMARK EQUIPMENT.**

## **TABLE OF CONTENTS**

<b><u>Description</u></b>	<b><u>Page</u></b>
32" and 36" Mower Deck .....	3-4
48" Mower Deck .....	5-6
Decals.....	15
Engine Deck Group.....	7-10
Upper Handles & Controls, ECS .....	13-14
Upper Handles & Controls, Pistol Grip .....	11-12
Wiring Diagram .....	16

## 32" and 36" MOWER DECK

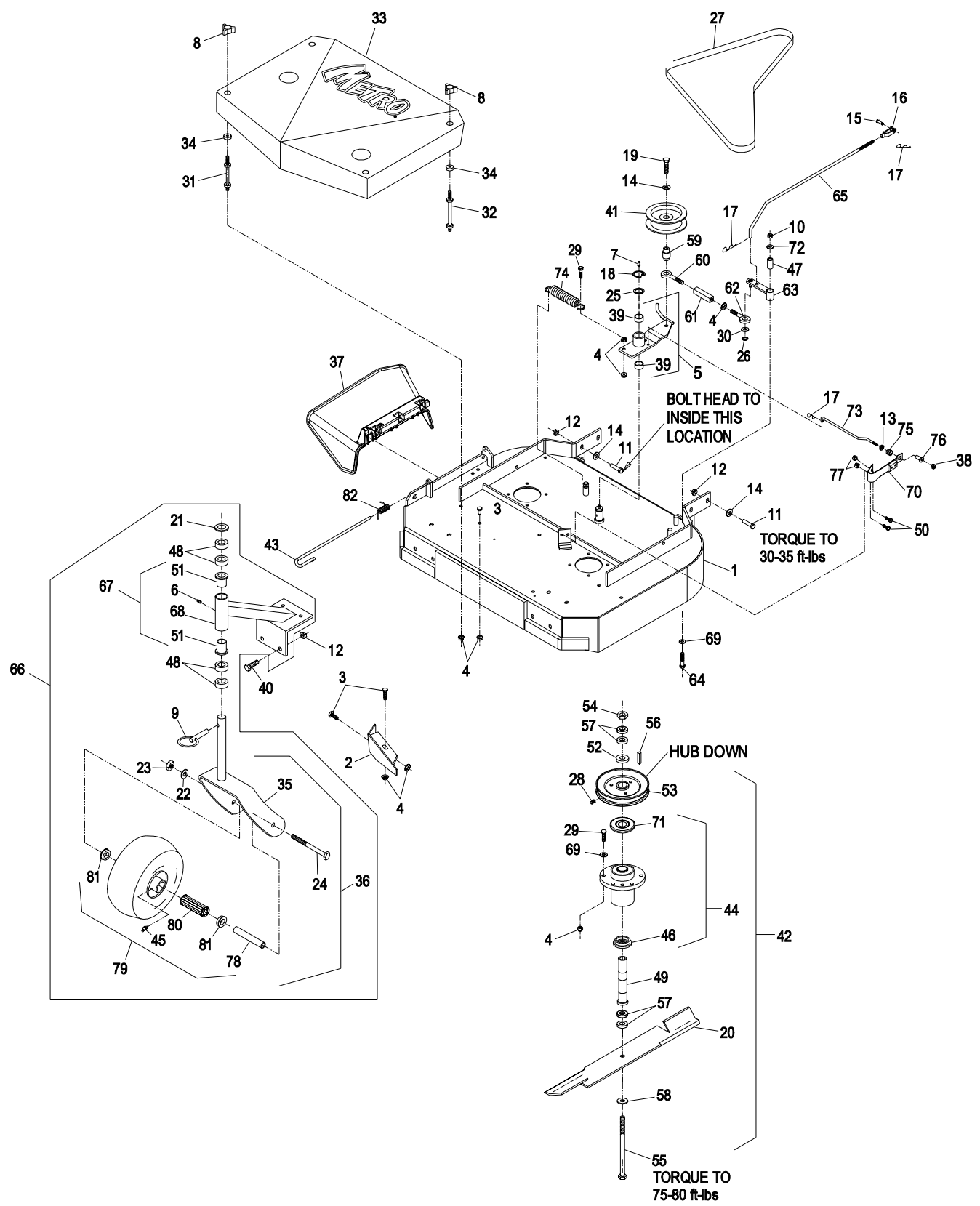
Item	Part No.	Description	Qty.
1	103-2312	Deck (116-0616-01) W/Decals Dogleg & Discharge Deflector (36")..... 1	
	116-0799	Deck (116-0618-01) W/Decals & Dogleg & Discharge Deflector (32")..... 1	
2	1-302189-01	Wld, Dogleg Baffle ..... 1	
3	322-2	Screw, HH 5/16-18 x 5/8 ..... 7	
4	32128-20	Nut, Whizlock 5/16-18 ..... 22	
5	103-3600	Asm, Engagement Arm W/Bushings ..... 1	
6	302-52	Zerk, 1/8 NPT Straight ..... 2	
7	302-19	Zerk, 1/4-28 Straight ..... 1	
8	1-323385	Knob, Belt Cover ..... 4	
9	1-809020	Quick Pin, 10" Caster ..... 2	
10	3296-29	Nut, Nyloc 5/16-18 ..... 1	
11	323-8	Screw, HH 3/8-16 x 1 1/2 ..... 8	
12	3290-357	Nut, Whizlock 3/8-16 ..... 16	
13	1-323748	Ring, Push-On 7/16 ..... 1	
14	98-5975	Washer, Spring Disc 3/8 ..... 9	
15	1-808280	Pin, Clevis 5/16 x 1 ..... 1	
16	1-303105	Yoke ..... 1	
17	1-806003	Hairpin, Cotter #2 ..... 3	
18	32151-103	E-Ring ..... 1	
19	702809	Screw, HH 3/8-16 x 1 7/8 ..... 1	
20	103-6584	Blade, Notched (36") ..... 2	
●	103-6582	Blade, Mulching (36") ..... 2	
	103-6580	Blade, Low Lift (36") ..... 2	
	103-1578	Blade, Solid (36") ..... 2	
	103-6337	Blade, Extreme (36") ..... 2	
	103-6583	Blade, Notched (32") ..... 2	
●	103-6581	Blade, Mulching (32) ..... 2	
	103-6738	Blade, Low Lift (32") ..... 2	
	103-1577	Blade, Solid (32") ..... 2	
	103-6336	Blade, Extreme (32") ..... 2	
21	1-513338	Washer, Special ..... 2	
22	3253-7	Washer, Lock 1/2 ..... 2	
23	3217-9	Nut, Hex 1/2-13 ..... 2	
24	325-20	Screw, HH 1/2-13 x 6 ..... 2	
25	1-303352	Washer, Spindle ..... 1	
26	32120-35	E-Ring ..... 1	
27	1-323733	Drive Belt (To Blades) 36" Model ..... 1	
	1-323734	Drive Belt (To Blades) 32" Model ..... 1	
28◆	1-803310	Setscrew, 5/16-18 x 3/8 ..... 2	
29	322-6	Screw, HH 5/16-18 x 1 1/4 ..... 9	
30	3256-23	Washer, 5/16 SAE ..... 1	
31	1-303537	Stud, Belt Shield (Short) ..... 2	
32	1-303536	Stud, Belt Shield (Long) ..... 2	
33	1-324208	Shield (1-302213-01) W/Decals, 36" ..... 1	
	1-324194	Shield (1-322149-01) W/Decals, 32" ..... 1	
34	1-323417	Washer, Belt Cover Mount ..... 4	
35	1-322145-01	Wld, Caster Fork ..... 2	
36	103-1236	Asm, Caster Wheel Assembly ..... 2	
37	109-5151	Deflector, Discharge ..... 1	

Item	Part No.	Description	Qty.
38	3296-56	Nut, Nyloc 1/4-20 Thin ..... 1	
39	1-323729	Bearing ..... 2	
40	323-4	Screw, HH 3/8-16 x 3/4 ..... 8	
41	1-603843	Pulley, Idler ..... 1	
42■	103-8387	Asm, Cutter Housing Complete ..... 2	
43	109-8854	Pin, Chute ..... 1	
44+	103-8280	Asm, Cutter Housing ..... 2	
45	302-61	Zerk, 45° 1/4-28 ..... 2	
46	103-2535	Spacer ..... 2	
47	1-403179	Tube, Pivot ..... 1	
48	1-303314	Spacer, 10" Caster ..... 8	
49+	1-323529	Tube, Spindle ..... 2	
50	321-4	Screw, HH 1/4-20 x 3/4 ..... 2	
51	1-303514	Flange, Thrust Bearing ..... 4	
52	1-323339	Washer ..... 2	
53+	1-403183	Sheave, Blade Driven ..... 2	
54	3219-6	Nut, Hex 5/8-18 UNF ..... 2	
55	1-800861	Screw, HH 5/8-18 x 8 ..... 2	
56	1-807267	Key, 1/4 x 3/16 x 1 1/4 ..... 2	
57	1-323539	Spacer, Blade Drive ..... 8	
58	1-513208	Washer, Spring Disc 5/8 ..... 2	
59	1-303434	Bushing, Engagement ..... 1	
60	1-303348	Eye Bolt (Left Hand Thread) ..... 1	
61	1-303236	Turnbuckle Body ..... 1	
62	1-303238	Eye Bolt (Right Hand Thread) ..... 1	
63	1-322235	Arm, Assist ..... 1	
64	322-10	Screw, HH 5/16-18 x 2 ..... 1	
65	1-323303	Linkage, Assist Arm ..... 1	
66◇	103-1238	Asm, Caster/Mount Complete ..... 2	
▲	103-2281	Asm, Caster/Mnt Complete, Weighted ... 2	
67◇	1-302203	Asm, Caster Whl Support W/Bearings ... 2	
▲	103-2296	Asm, Caster Wheel Support W/Bearings, Weighted ..... 2	
68◇	1-302194-01	Wld, Caster Wheel Support ..... 2	
▲	103-2297-01	Wld, Caster Wheel Support, Weighted ... 2	
69	1-303334	Washer, Spring Disc 5/16 ..... 9	
70	1-324372	Asm, Pad/Spring ..... 1	
71+	103-1330	Guard, Bearing Top ..... 2	
72	3256-3	Washer, 5/16 Std ..... 1	
73	1-323715	Rod, Brake 36" ..... 1	
	1-323718	Rod, Brake 32" ..... 1	
74	1-323071	Spring ..... 1	
75	1-323747	Spring, Compression ..... 1	
76	1-323746	Spacer, Flanged ..... 1	
77	3296-42	Nut, Nyloc 1/4-20 ..... 2	
78	1-513547	Spacer, Front Caster ..... 2	
79	103-2171	Kit, Tire & Wheel Asm W/ Spacer ..... 2	
80	1-513809	Roller Bearing ..... 1	
81	1-513810	Bushing ..... 4	
82	116-0962	Spring ..... 1	

Exmark red touch up paint (spray paint - P/N 1-850337 - .6 oz liquid bottle - P/N 103-9140).

- ◆ Use Pro-lock Nut Type (p/n 1-840022 .5 ml tube) on the setscrews.
- Requires installation of Micro-Mulch accessory for proper mulching. Mulch kit P/N's MK322(32") or MK362(36")
- ▲ Models with ECS handles only.
- ◇ Models with Standard pistol grip handles only.
- + Apply Mobil HTS grease (P/N 103-5217 1.5 oz packet) (or a food-grade anti-seize) between the spindles & bearings and spindles & sheaves and under top bearing guard. DO NOT use a copper or nickel based anti-seize.
- Does not include items #4, #29, & #69

# 32" & 36" MOWER DECK



## 48" MOWER DECK

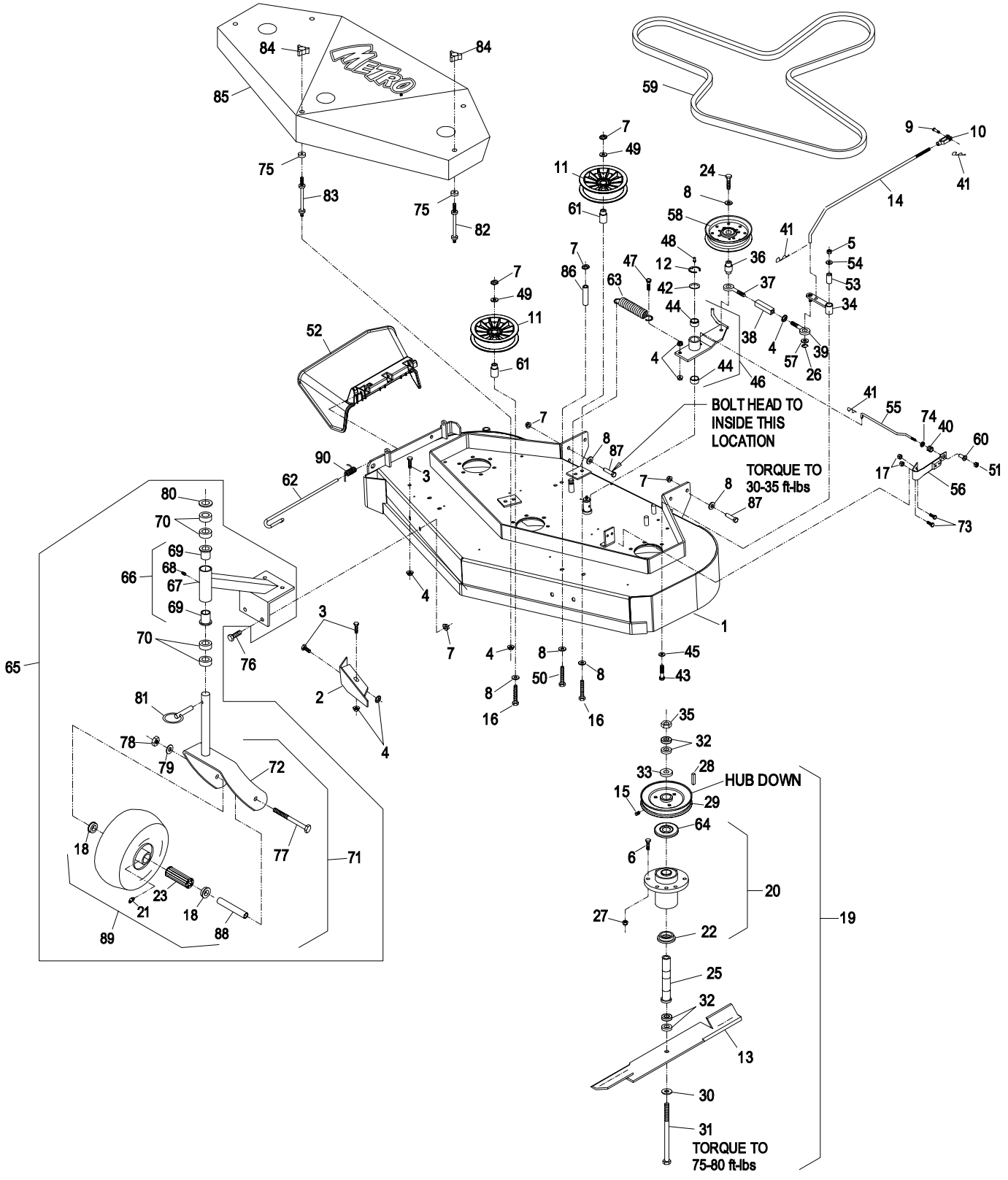
Item	Part No.	Description	Qty.
1	109-2601	Deck (116-0617-01)W/Decals Dogleg & Discharge Deflector .....	1
2	1-402107-01	Wld, Dogleg Baffle .....	1
3	322-2	Screw, HH 5/16-18 x 5/8 .....	3
4	32128-20	Nut, Whizlock 5/16-18 .....	11
5	3296-29	Nut, Nyloc 5/16-18 .....	1
6	323-7	Screw, HH 3/8-16 x 1 1/4 HH .....	18
7	3290-357	Nut, Whizlock 3/8-16 .....	19
8	98-5975	Washer, Spring Disc 3/8 .....	12
9	1-808280	Pin, Clevis 5/16 x 1 .....	1
10	1-303105	Yoke .....	1
11	109-0977	Pulley, Idler Pulley .....	2
12	32151-103	E-Ring .....	1
13	103-6583	Blade, Notched (48") .....	3
●	103-6581	Blade, Mulching (48") .....	3
	103-6738	Blade, Low Lift (48") .....	3
	103-1577	Blade, Solid (48") .....	3
	103-6336	Blade, Extreme (48") .....	3
14	1-323303	Linkage, Assist Arm .....	1
15◆	1-803310	Setscrew, 5/16-18 x 3/8 .....	3
16	323-13	Screw, HH 3/8-16 x 2 3/4 .....	2
17	3296-42	Nut, Nyloc 1/4-20 .....	2
18	1-513810	Bushing .....	4
19■	103-8387	Asm, Cutter Housing Complete .....	3
20+	103-8280	Asm, Cutter Housing .....	3
	302-61	Zerk, 45° 1/4-28 .....	2
22	103-2535	Spacer .....	3
23	1-513809	Bearing, Roller .....	2
24	702809	Screw, HH 3/8-16 x 1 7/8 .....	1
25+	1-323529	Tube, Spindle .....	3
26	32120-35	E-Ring .....	1
27	3296-39	Nut, Nyloc 3/8-16 .....	18
28	1-807267	Key, 1/4 x 3/16 x 1 1/4 .....	3
29+	1-403183	Sheave, Blade Driven .....	3
30	1-513208	Washer Spring Disc 5/8 .....	3
31	1-800861	Screw, HH 5/8-18 x 8 .....	3
32	1-323539	Spacer, Blade Drive .....	12
33	1-323339	Washer .....	3
34	1-322235	Arm, Assist .....	1
35	3219-6	Nut, Hex 5/8-18 UNF .....	3
36	1-303434	Bushing, Engagement .....	1
37	1-303348	Eye Bolt (Left Hand Thread) .....	1
38	1-303236	Turnbuckle Body .....	1
39	1-303238	Eye Bolt (Right Hand Thread) .....	1
40	1-323747	Spring, Compression .....	1
41	1-806003	Hairpin, Cotter #2 .....	3
42	1-303352	Washer, Spindle .....	1
43	322-10	Screw, HH 5/16-18 x 2 .....	1
44	1-323729	Bearing .....	2
45	1-303334	Washer, Spring Disc 5/16 .....	1

Item	Part No.	Description	Qty.
46	103-3600	Asm, Engagement Arm W/Bushings .....	1
47	322-6	Screw, HH 5/16-18 x 1 1/4 .....	1
48	302-19	Zerk, 1/4-28 Str .....	1
49	3256-24	Washer, 3/8 SAE .....	2
50	323-20	Screw, HH 3/8-16 x 3 1/4 .....	1
51	3296-56	Nut, Nyloc 1/4-20 Thin .....	1
52	109-5151	Deflector, Discharge .....	1
53	1-403179	Tube, Pivot .....	1
54	3256-3	Washer, Flat 5/16 Std .....	1
55	1-323714	Rod, Brake LH .....	1
56	1-324372	Asm, Pad/Spring .....	1
57	3256-23	Washer, 5/16 SAE .....	1
58	1-603843	Pulley, Idler .....	1
59	1-403174	Belt, Drive (Main Deck) 48" .....	1
60	1-323746	Spacer, Flanged .....	1
61	1-403184	Bushing .....	2
62	109-8854	Pin, Chute .....	1
63	1-323071	Spring .....	1
64+	103-1330	Guard, Bearing Top .....	3
65◇	103-1238	Asm, Caster/Mount Complete .....	2
▲	103-2281	Asm, Caster/Mnt Complete, Weighted ...	2
66◇	1-302203	Asm, Caster Whl Support W/Bearings ...	2
▲	103-2296	Caster Wheel Support W/Bearings, Weighted .....	2
67◇	1-302194-01	Wld, Caster Wheel Support .....	2
▲	103-2297-01	Wld, Caster Wheel Support, Weighted ...	2
68	302-52	Zerk, 1/8 NPT .....	2
69	1-303514	Flange, Thrust Bearing .....	4
70	1-303314	Spacer, 10" Caster .....	8
71	103-1236	Asm, Caster Wheel .....	2
72	1-322145-01	Wld, Caster Fork .....	2
73	321-4	Screw, HH 1/4-20 x 3/4 .....	2
74	1-323748	Ring, Push-On 7/16 .....	1
75	1-323417	Washer, Belt Cover Mount .....	5
76	323-4	Screw, HH 3/8-16 x 3/4 .....	8
77	325-20	Screw, HH 1/2-13 x 6 .....	2
78	3217-9	Nut, Hex 1/2-13 .....	2
79	3253-7	Washer, Lock 1/2 .....	2
80	1-513338	Washer, Special .....	2
81	1-809020	Quick Pin, 10" Caster .....	2
82	1-303537	Stud, Belt Shield (Short) .....	2
83	1-303536	Stud, Belt Shield (Long) .....	3
84	1-323385	Knob, Belt Cover .....	5
85	1-404238	Shield (1-402100-01)W/Decals 48" .....	1
86	1-403188	Spacer, Belt Guide .....	1
87	323-8	Screw, HH 3/8-16 x 1 1/2 .....	8
88	1-513547	Spacer, Front Caster .....	2
89	103-2171	Kit, Tire & Wheel Asm W/ Spacer .....	2
90	116-0962	Spring .....	1

Exmark red touch up paint (spray paint - P/N 1-850337 - .6 oz liquid bottle - P/N 103-9140).

- ◆ Use Pro-lock Nut Type (p/n 1-840022 .5 ml tube) on the setscrews.
- Requires installation of Micro-Mulch accessory for proper mulching. Mulch kit P/N's MK483.
- ▲ Models with ECS handles only.
- ◇ Models with Standard pistol grip handles only.
- + Apply Mobil HTS grease (P/N 103-5217 1.5 oz packet) (or a food-grade anti-seize) between the spindles & bearings and spindles & sheaves and under top bearing guard. DO NOT use a copper or nickel based anti-seize.
- Does not include items #6 and #27.

# 48" MOWER DECK



## ENGINE DECK GROUP

Item	Part No.	Description	Qty.
1	103-3499	Rear Deck (103-9897-01) W/Decals.....	1
2	1-323500	Transmission.....	1
3	1-324340	Asm, Coupling, W/Guard And Zerk .....	2
4	1-323502	Shaft, Transmission Output.....	2
5	103-2587	Adapter, Oil Drain .....	1
6+	1-323252	Bearing, Transmission Shaft .....	2
7	1-323254	Flange, Bearing Transmission Shaft.....	2
8+	103-6511	Sheave, 3 1/4" (36"&48").....	2
+	103-6512	Sheave, 3 1/4" (32").....	2
9	32151-62	Ring, Retaining .....	2
10	1-805005	Washer, Lock 5/16 Heavy .....	4
11	1-373034	Washer, Flat .....	2
12◇	3245-41	Setscrew, 1/4-20 x 3/8 Cuppoint .....	2
13	1-323280	Belt, Transmission.....	1
14	3290-357	Nut, Whizlock 3/8-16.....	3
15	3296-39	Nut, Nyloc 3/8-16 .....	1
16	103-3498	Shifter Plate (1-323387-03) W/Decals ....	1
17	1-323389-03	Leg, Shifter Lever.....	2
18	3230-1	Bolt, Carriage 5/16-18 x 3/4 .....	2
19	32128-20	Nut, Whizlock 5/16-18 .....	6
20	51-4220	Coupler, Guard .....	2
21+	103-1666	Sheave, Trans. Drive, 2 3/4" .....	1
22+	103-1668	Sheave, Blade Drive (6.71")(36").....	1
+	103-1667	Sheave, Blade Drive(7.33")(32"&48") .....	1
23	103-4177	Key, 1/4 Sq x 2.....	1
24	1-303334	Washer , Spring Disc 5/16.....	4
25	32128-20	Nut, Whizlock 5/16-18 .....	4
26	322-7	Screw, HH 5/16-18 x 1 1/2 .....	4
27	323-13	Screw, HH 3/8-16x2 3/4 .....	1

Item	Part No.	Description	Qty.
28◇	1-803310	Setscrew, 5/16-18 x 3/8 Cuppoint .....	2
29	1-633453	Spacer, Tube .....	1
30	1-603610	Washer, Spring Disc 7/16 .....	2
31	9264964	Screw, HH 5/16-18 x 3/4 Tapping .....	4
32	1-303186	Crank, Bell.....	1
33+	1-323278	Sheave, Transmission Drive .....	1
34	1-323379	Washer, Shifter Lever .....	1
35	98-5975	Washer, Spring Disc, 3/8 .....	1
36	3296-6	Nut, Nyloc 3/8-24 .....	1
37	3257-5	Key, Woodruff 3/16 x 3/4 .....	3
38	1-303282	Switch, Neutral.....	1
39	3231-6	Bolt, Carriage 3/8-16 x 2 SSN.....	1
40	3256-5	Washer , 7/16 Std.....	2
41	1-323285	Pulley, Transmission Drive.....	1
42	3256-24	Washer , 3/8 SAE .....	1
43	321-3	Screw, HH 1/4-20 x 5/8.....	4
44	3296-42	Nut, Nyloc 1/4-20 .....	4
45	1-603403	Bolt, Shoulder 1/2 x 1.....	1
46◇	3212-6	Screw, HH ,7/16-20 x 1 1/2.....	1
47	1-513051	Switch, Blade Engagement.....	1
48	322-3	Screw, HH 5/16-18 x 3/4 .....	8
49	3290-500	Screw, PPH #10-24 x 5/8.....	2
50	1-633181	Plate, Tapped .....	1
51	103-1606	Asm Shift Lever, W/Grip .....	1
52	103-1733	Grip .....	1
53	302-19	Zerk, 1/4-28 Str.....	2
54	116-1180-03	Guard, Muffler.....	1
55	115-4154-03	Bracket, Muffler.....	1

Exmark red touch up paint (spray paint - P/N 1-850337 - .6 oz liquid bottle - P/N 103-9140).

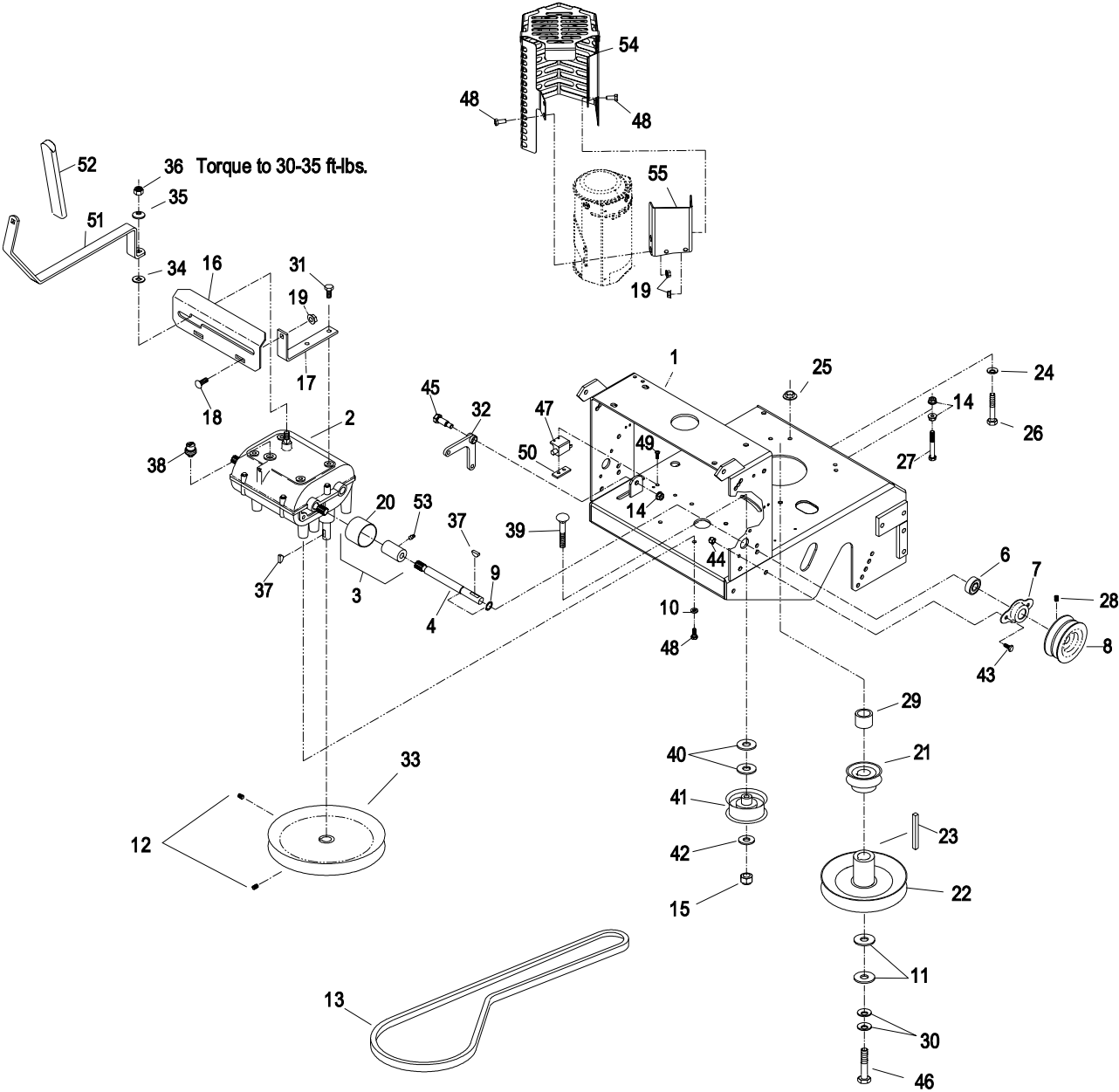
Exmark black touch up spray paint – Gloss black

◇ Use Pro-lock (Nut type) Part No. 1-840022 (.5ml tube) on setscrew threads and on sheave retaining bolt in engine crankshaft.

+



# ENGINE DECK GROUP



Oil Drain  
Kawasaki Engines

## ENGINE DECK GROUP (cont.)

Item	Part No.	Description	Qty.
1	103-1611-03	Wld, Brake Arm.....	2
2	302-19	Zerk, 1/4-28 Straight .....	4
3	1-322117-03	Wld, Axle (36" & 48" Models).....	1
	1-322141-03	Wld, Axle (32" Model).....	1
4	2412-104	Clip, Loom.....	2
5	103-1615-03	Wld, Idler Arm (LH) .....	1
6◇	1-806003	Hairpin, Cotter #2.....	4
■	1-806003	Hairpin, Cotter #2.....	2
7	103-1616-03	Wld, Idler Arm (RH).....	1
8■	32151-47	Klipring (For 3/8 Shaft).....	6
◇	32151-47	Klipring (For 3/8 Shaft).....	4
9	1-323288	Belt, Wheel Drive (36"&48" Models) .....	2
	1-323344	Belt, Wheel Drive (32" Model) .....	2
10	32128-20	Nut, Whizlock 5/16-18 .....	4
11	1-323262	Band, Brake .....	2
12	110-5866	Brake Linkage Swivel .....	2
13	1-412358	Wld, Scraper (36"&48" Models).....	2
	1-603430	Scraper (32" Model).....	2
14	3296-29	Nut, Nyloc 5/16-18 .....	4
15	1-323277	Pulley, Idler (36"&48" Models).....	2
	1-323352	Pulley, Idler (32" Model).....	2
16	322-6	Screw, HH 5/16-18 x 1 1/4 .....	2
17	99-8664	Screw, HH 3/8-16 x 3 Tapping .....	2
18	3290-357	Nut, Whizlock 3/8-16.....	14
19	3296-39	Nut, Nyloc 3/8-16 .....	4
20	1-323287-01	Shield, Wheel Drive.....	2
21	1-323283	Spacer .....	4
22	1-603402	Spring, Drive .....	2
23■	1-323548	Linkage, Brake .....	2
◇	103-1619	Linkage, Brake (LH) .....	1
◇	103-1620	Linkage, Brake (RH).....	1

Item	Part No.	Description	Qty.
24	1-513959	Wingnut, Nyloc 5/16-18.....	2
25	323-39	Screw, HH 5/8-16 x 5.....	4
26	1-523157	Spacer, Wheel (14 Ga.) .....	As Req'd.
	1-543436	Spacer, Wheel (18 Ga.) .....	As Req'd.
27	98-5975	Washer, Spring Disc 3/8 .....	4
28	1-323307	Pin, Clevis 3/8.....	2
29	1-803051	Pushnut, 3/8 .....	2
30■	103-1864	Swivel, Short Adjust.....	2
◇	103-1618	Swivel, Short Adjust.....	2
31	323-6	Screw, HH 3/8-16 x 1.....	4
32	109-4721	Asm, Wheel Drive (36"&48" Models).....	2
	1-324193	Asm, Wheel Drive (32" Model).....	2
33	1-323349	Sheave (32"Model) .....	2
34	109-4359	Asm, Drum & Sheave (36" & 48" Model) .	2
35	1-323261	Drum, Brake (32" Model) .....	2
36	1-323719	Asm, Wheel & Tire (36"&48"Models).....	2
	1-323346	Asm, Wheel & Tire (32"Model).....	2
37	1-323720	Tire, 13 x 6.50-6 (4-Ply) (36"&48") .....	1
	1-323361	Tire, 13 x 5.00-6 (4-Ply) (32").....	1
38	1-323328	Asm, Wheel & Hub W/Brgs (36"&48") ....	1
	1-323360	Asm, Wheel & Hub W/Brgs (32").....	1
39	1-323329	Bearing, Flanged .....	4
40	322-5	Screw, HH 5/16-18 x 1.....	8
41	1-805005	Washer, Spring Disc 5/16 .....	8
42	32120-47	E-Ring (For 1/2" Shaft).....	2
43■	1-323245	Spring, Compression .....	2
44	1-808519	E-Ring (For 1" Shaft) .....	2
45	1-373034	Washer, Swivel (32" Model Only).....	8
46■	3256-23	Washer, 5/16 SAE .....	4
47	98-3259	Shield, Trailing.....	1
48	322-3	Screw, HH 5/16-18 x 3/4.....	2

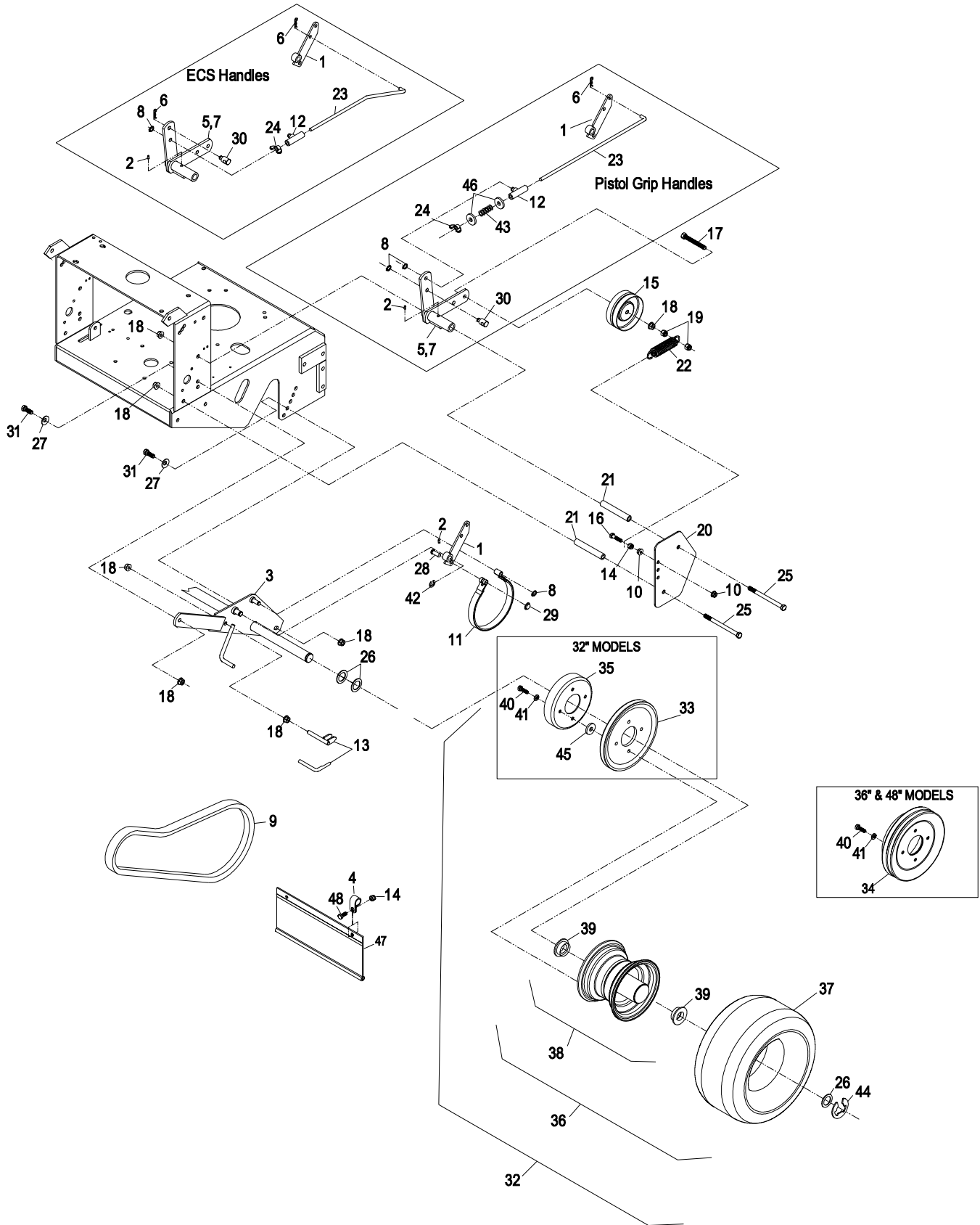
Exmark red touch up paint (spray paint - P/N 1-850337 - .6 oz liquid bottle - P/N 103-9140).

Exmark black touch up spray paint – Gloss black

◇ For units with ECS handles only.

■ For units with pistol grip handles only.

# ENGINE DECK GROUP (cont.)



## PISTOL GRIP UPPER HANDLES and CONTROLS

Item	Part No.	Description	Qty.
1	109-4695	Kit, Handle (109-4682-03) W/Decals	1
2	1-303097	Grip, Handle	2
3*	1-324279	Latch W/Grip (LH)	1
4	1-303019	Grip, Latch	2
5	1-302006	Drive Lever W/Grip	2
6	1-303021	Grip, Drive Lever	2
7	1-324280	Latch W/Grip (RH)	1
8	1-323229	Clip, Loom 3/8	1
9	1-303435	Washer, Spring Disc 1/4	6
10	1-323359	Linkage, Wheel Drive	2
11	3296-42	Nut, Nyloc 1/4-20	3
12	3256-22	Washer, 1/4 SAE	1
13	321-18	Screw, HH 1/4-20 x 2 1/4	2
14	109-3958	Cable, Throttle	1
15	103-1797-01	Bracket, Choke Cable	1
16	1-303287	Tie, Plastic 5 1/2"	5
17	3296-39	Nut, Nyloc 3/8-16	5
18	3296-2	Nut, Nyloc 10-24	2
19	1-807513	Bolt, Carriage 10-24 x 1/2	2
20	1-806003	Cotter, Hairpin	4
21	1-808250	Pin, Clevis 3/16 x 1 3/4	2
22	1-803001	Palnut, 3/16	2
23	1-806340	Rollpin, 5/16 x 1	2
24	1-323549	Spacer	2
25●	1-412185-03	Lever, OPC (RH)	1
26◇	1-803322	Setscrew, 5/16-24 x 5/16	2
27●	1-412183-03	Lever, OPC (LH)	1
28	323-6	Screw, HH 3/8-16 x 1	4
29	1-303365	Bushing, Nylon	2
30	1-322192-03	Rod, Connecting	1
31	1-403121	Switch, Key	1
	1-603511	Key, Ignition	1
	103-2106	Key, Exmark Logo	1
32	1-303363	Spring, Actuator	1
33	1-805004	Washer, Lock 1/4 Heavy	1
34	33114-016	Screw, HH M8-16 x 1.25	1

Item	Part No.	Description	Qty.
35	1-303088	Clip, Cable	1
36	1-303160	Spring, Compression	1
37	3256-23	Washer, 5/16 SAE	4
38	1-323298	Linkage, Blade Drive	1
39	1-322157	Engagmt. Lever, Blade W/Grip	1
40	1-303020	Grip, Lever	1
41	3256-4	Washer, 3/8 Std	2
42	323-10	Screw, HH 3/8-16 x 2	1
43	1-303335	Tie, Plastic Large	1
44	103-2893	Tank, Fuel W/Fitting	1
45	109-0346	Cap, Fuel Tank	1
46	1-808286	Pin, Clevis	2
47◇	103-2605	Fitting, Fuel Bulkhead W/Screen	1
48	103-0498	Nut, Ignition Switch	1
49	1-303077	Clamp, Fuel Line	4
50	321-4	Screw, HH 1/4-20 x 3/4	1
51	109-0306	Line, Fuel 6"	1
52	1-323430	Interlock, OPC	1
53	1-413510	Clip, Loom 1/2"	1
54	109-0293	Line, Fuel 8.5"	1
55	1-543296	Grommet	1
56	1-603770	Valve, Fuel	1
57	33113-016	Screw, HH M6-16 x 1	1
58	<b>Kawasaki</b>	PN 41019-1055 W/6" Fuel Line	1
59	321-3	Screw, HH1/4-20 x 5/8	2
60	103-1610	Harness, Wiring	1
61●	1-633023	Stud, Gas Tank	2
62	1-633349	Spring, Gas Tank	2
63	1-513051	Switch	1
64	1-633181	Plate, Tapped	1
65	3290-500	Screw, PPH #10-24 x 5/8	2
66	1-805005	Washer, Lock 5/16	2
67	3296-47	Nut, Nyloc 5/16-18	2
68	322-3	Screw, 5/16-18 x 3/4	2
69	32128-33	Nut, Whizlock 1/4-20	2
70	103-1796	Cable, Choke	1

NOTE: Use dielectric grease on all electrical connections.

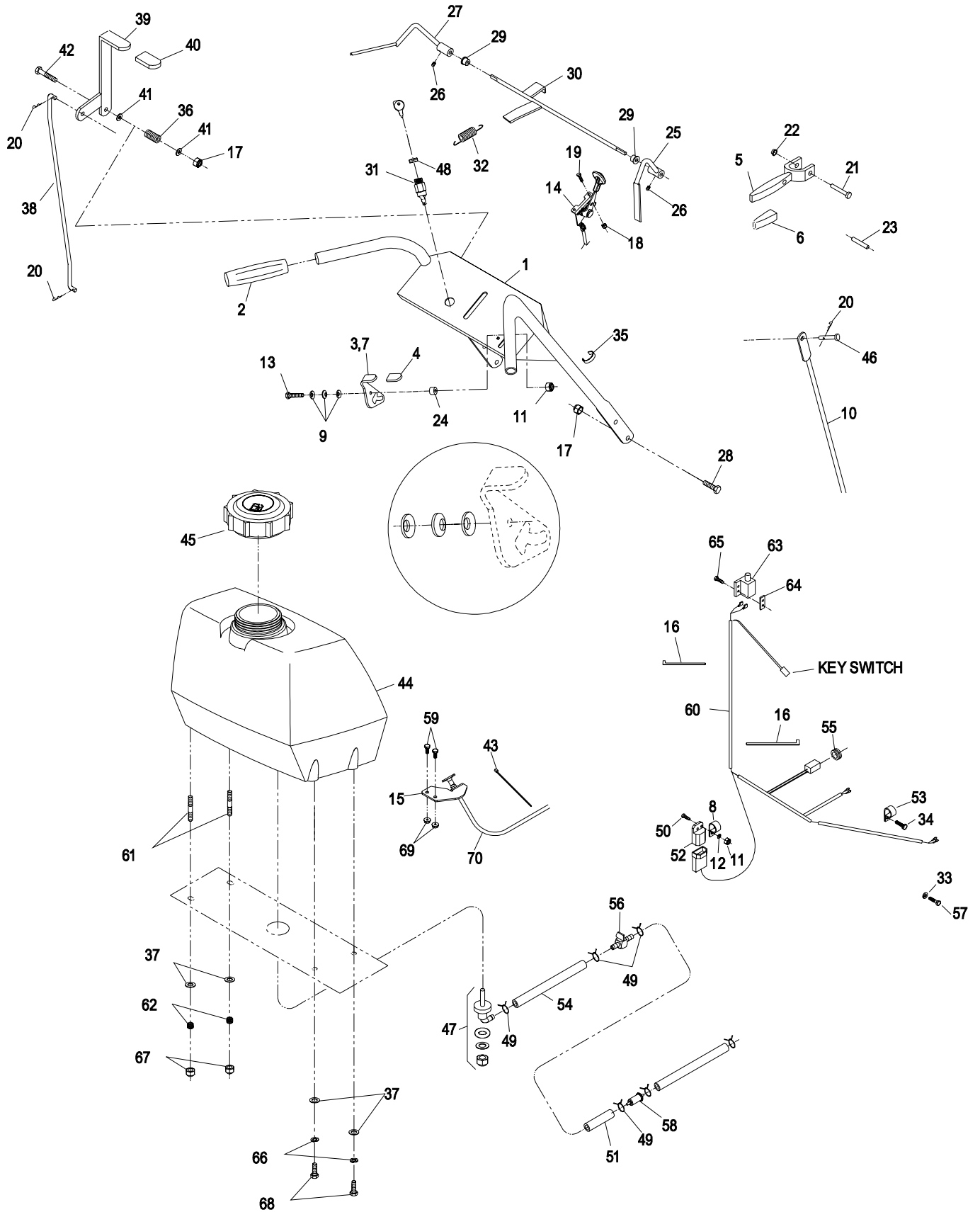
Exmark black touch up spray paint – Gloss black

\* Not illustrated.

◇ Use Pro-lock (Nut type) Part No. 1-840022 (.5 ml tube) on setscrew threads, and on fuel tank fitting.

● Use Pro-lock (Retaining) Part No. 1-840023 (.5 ml tube) on inside of bore of OPC hub and on fuel tank studs going into tank.

# PISTOL GRIP UPPER HANDLES and CONTROLS



## ECS UPPER HANDLES and CONTROLS

Item	Part No.	Description	Qty.
1◇	103-1566-03	Wld, Lever, OPC (LH) .....	1
2	1-303365	Bushing, Nylon.....	2
3◆	1-803322	Setscrew, 5/16-24 x 5/16.....	2
4	103-0769-03	Wld, OPC Rod .....	1
5	1-303363	Spring, Actuator .....	1
6	1-303335	Tie, Plastic 7 5/16" .....	1
7	1-807513	Bolt, Carriage 10-24 x 1/2 .....	2
8	3296-2	Nut, Nyloc #10-24 .....	2
9	109-3958	Cable, Throttle Control .....	1
10◇	103-1567-03	Wld, OPC Lever (RH).....	1
11	1-303020	Grip, Lever .....	1
12	103-1629	Lever, Clutch W/Grip.....	1
13	3296-29	Nut, Nyloc 5/16-18 .....	2
14	3256-4	Washer, 3/8 Std .....	1
15	103-0027	Spacer .....	2
16	1-806003	Cotter, Hairpin.....	2
17	103-1627	Linkage, Upper.....	1
18	103-1604	Linkage, Wheel Drive .....	2
19	1-543296	Grommet.....	1
20	103-0815	Grip, Handle.....	2
21	1-303435	Washer, Spring Disc 1/4.....	6
22	103-1631	Latch, Thumb (LH) (Not Shown).....	1
	103-1630	Latch, Thumb (RH).....	1
23	3296-42	Nut, Nyloc 1/4-20 .....	1
24	103-0770-03	Wld, Handle .....	1
25	1-303088	Clip, Cable .....	1
26	323-6	Screw, HH 3/8-16 x 1 .....	4
27	109-0346	Cap, Fuel Tank .....	1
28	103-2893	Tank, Fuel W/Fitting .....	1
29◇	1-633023	Stud .....	2
30	1-633349	Spring, Fuel Tank .....	2
31	1-805005	Washer, Lock 5/16 Heavy .....	2
32	3296-47	Nut, Nyloc 5/16-18 .....	2
33	322-3	Screw, HH 5/16-18 x 3/4 .....	2
34◆	103-2605	Fitting, Fuel Bulkhead W/Screen .....	1
35	103-0498	Nut, Ignition Switch .....	1
36	1-303077	Clamp, Fuel Line .....	4
37	33114-016	Screw, HH M8-16 x1.25 .....	1
38	1-603770	Valve, Fuel.....	1
39	1-805004	Washer, Lock 1/4 Heavy .....	1
40	<b>Kawasaki</b>	PN 41019-1055 W/6" Fuel Line.....	1

Item	Part No.	Description	Qty.
41	103-1610	Harness, Wiring .....	1
42	3256-22	Washer, 1/4 SAE .....	1
43	321-4	Screw, HH 1/4-20 x 3/4.....	1
44	1-403121	Switch, On/Off .....	1
	1-603511	Key, Ignition.....	1
	103-2106	Key, Exmark Logo .....	1
45	1-633181	Plate, Tapped.....	1
46	3296-39	Nut, Nyloc 3/8-16.....	5
47	3290-500	Screw, PPH #10-24 x 5/8.....	2
48	1-513051	Switch, Neutral Lockout .....	1
49	1-323229	Clip, Loom 3/8 .....	1
50	1-303287	Tie, Plastic 5 1/2".....	6
51	1-323430	Module, Wiring Harness.....	1
52	323-14	Screw, HH 3/8-16 x 3.....	1
53	322-9	Screw, HH 5/16-18 x 1 3/4.....	2
54	1-413152	Bearing.....	4
55	103-2466-03	Lever, Drive (LH) .....	1
56	3219-3	Nut, Hex 3/8-24 .....	2
57	321-14	Screw, HH 1/4-20 x 2 3/4.....	2
58	32128-33	Nut, Whizlock 1/4-20.....	12
59	103-0464	Pin, Spring 1/8 x 1/2 .....	2
60	3256-22	Washer, 1/4 SAE .....	10
61◆	103-0235	Screw, 1/4-20 x 1 1/8 W/Nylon.....	2
62	103-2465-03	Lever, Drive (RH).....	1
63	3220-3	Nut, Jam 3/8-24 .....	4
64	109-4934	Asm, Console (109-4649-03) W/Decals .....	1
65	3256-23	Washer, 5/16 SAE .....	4
66	321-3	Screw, HH 1/4-20 x 5/8.....	10
67	103-2513	Asm, Drive Lever (RH).....	1
	103-2514	Asm, Drive Lever (LH) .....	1
68	103-2463	Joint, .375 Ball End.....	2
69	103-0489-03	Bracket, OPC Axle.....	1
70	103-1796	Cable, Choke Push/Pull .....	1
71	103-1797-01	Bracket, Choke Cable.....	1
72	1-633080	Bushing .....	1
73	3256-14	Washer, #10 Std.....	1
74	109-0293	Hose, Fuel Line 8.5" .....	1
75	1-413510	Clip, Loom 1/2" .....	1
76	109-0306	Hose, Fuel Line 6" .....	1
77	33113-016	Screw, HH M6-16 x 1.....	1

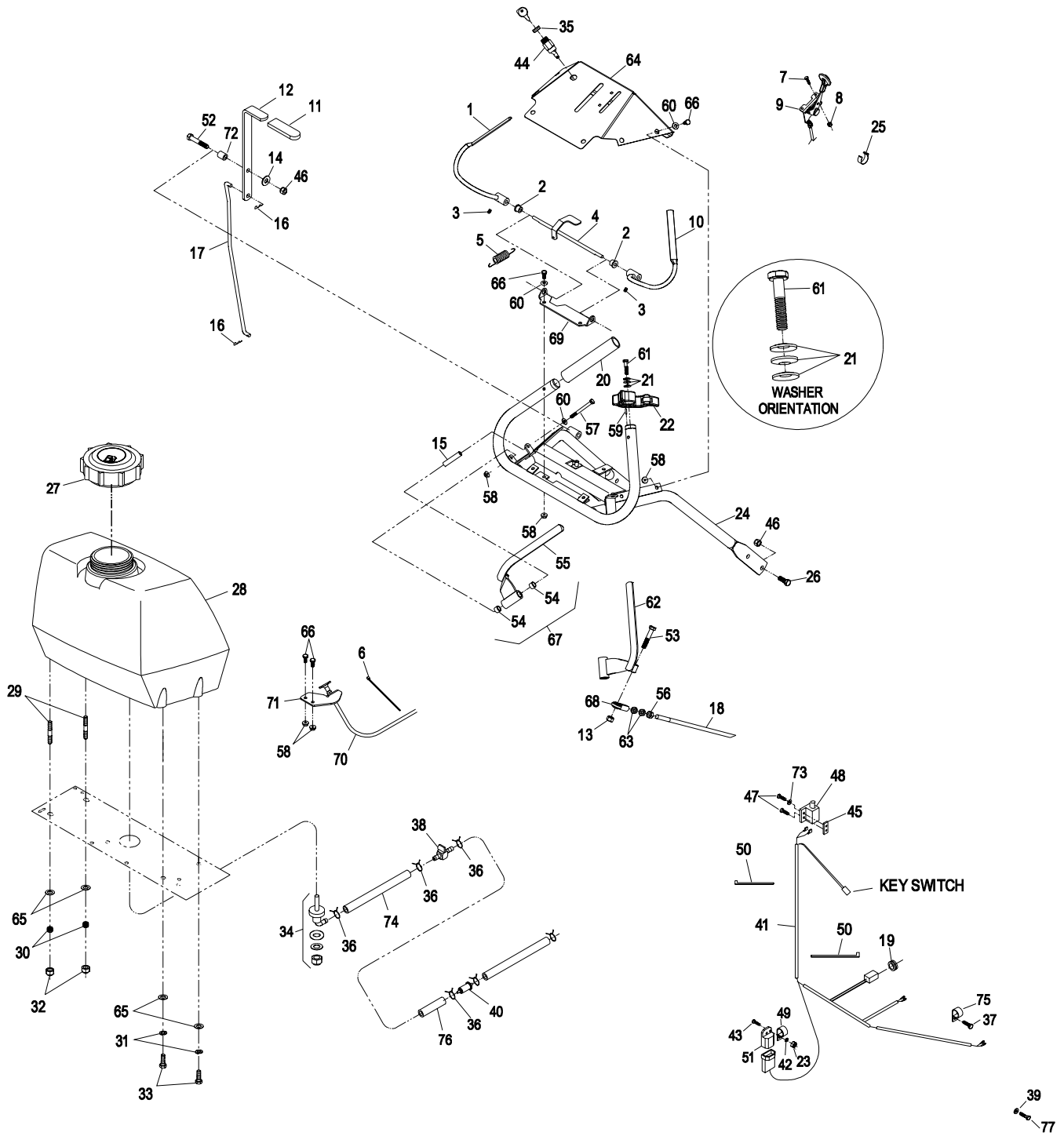
NOTE: Use dielectric grease on all electrical connections.

Exmark black touch up spray paint – Gloss black

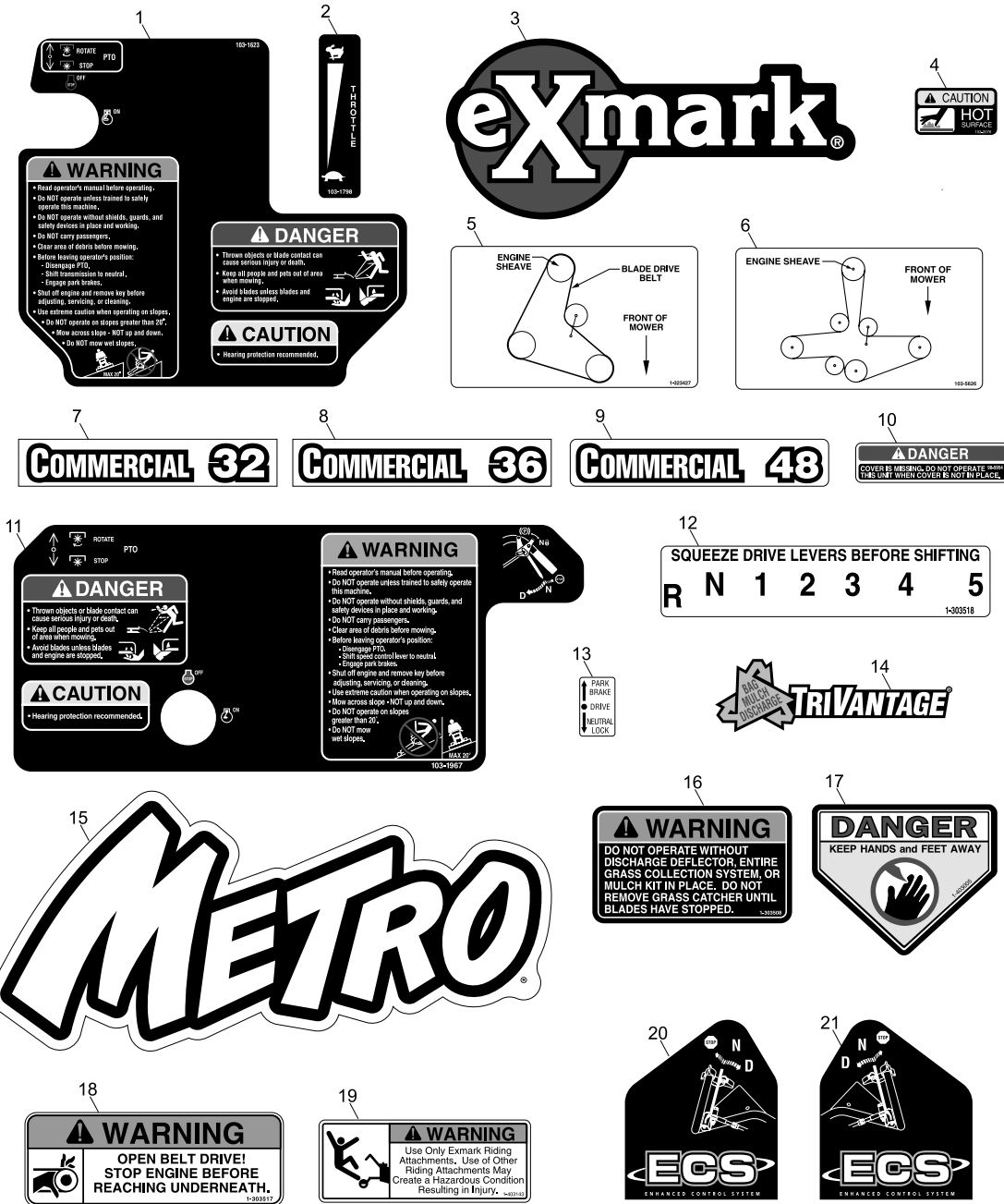
◆ Use Pro-lock (Nut type) Part No. 1-840022 (.5 ml tube) on setscrew threads, thumb latch screws and on fuel tank fitting.

◇ Use Pro-lock (Retaining) Part No. 1-840023 (.5 ml tube) on inside of bore of OPC hub and on fuel tank studs going into tank.

# ECS UPPER HANDLES and CONTROLS



# DECALS



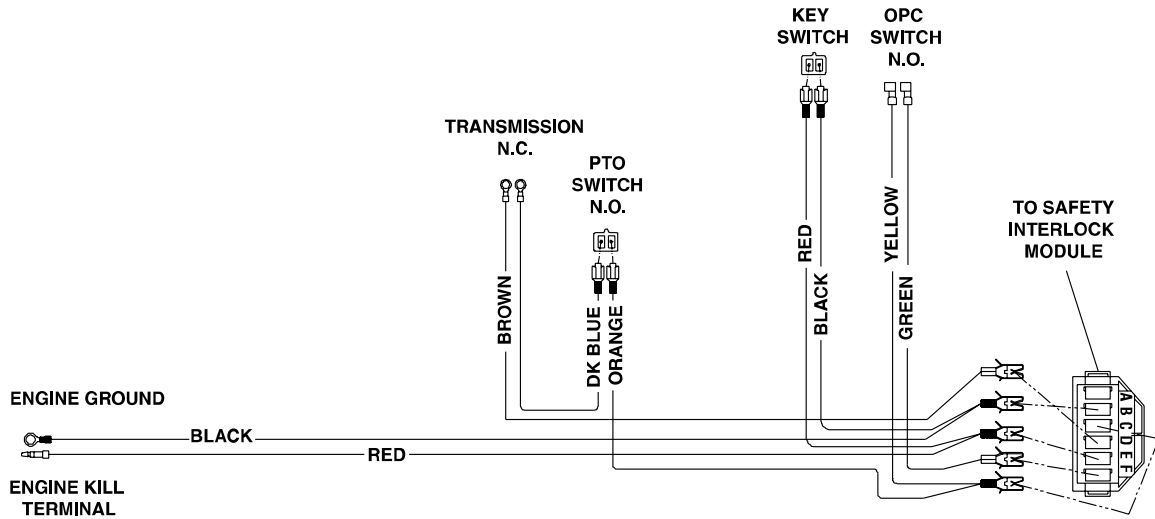
Item	Part No.	Description	Qty.
1●	103-1623	Decal, Console .....	1
2	103-1798	Decal, Throttle .....	1
3	103-2882	Decal, Exmark Logo.....	1
4	103-2076	Decal, Caution Hot Surface.....	1
5	1-323427	Decal, Belt Routing (32" & 36").....	1
6	103-5626	Decal, Belt Routing (48").....	1
7	1-323410	Decal, Commercial (32").....	1
8	1-323411	Decal, Commercial (36").....	1
9	1-403131	Decal, Commercial (48").....	1
10	98-5954	Decal, Missing Cover .....	1
11★	103-1967	Decal, Console .....	1
12	1-303518	Decal, Shifter .....	1

Item	Part No.	Description	Qty.
13★	1-323550	Decal, Neutral/Brake.....	2
14	1-303520	Decal, TriVantage .....	1
15	103-2920	Decal, Metro Model.....	1
16	1-303508	Decal, Discharge Warning .....	1
17	1-403005	Decal, Danger (32" & 36").....	1
	1-403005	Decal, Danger (48") .....	2
18	1-303517	Decal, Belt Drive .....	1
19	1-403143	Decal, Sulky Warning.....	1
20●	103-2245	Decal, ECS Instruction (RH) .....	1
21●	103-2244	Decal, ECS Instruction (LH).....	1
	103-2640	Decal, Kit	

- ★ Pistol Grip units only.
- ECS units only.



# WIRING DIAGRAMS



CONNECTORS ARE VIEWED FROM WIRE END  
N.C. = NORMALLY CLOSED  
N.O. = NORMALLY OPEN

0006816

## NOTES



# SEE EXMARK'S COMPLETE LINE OF ACCESSORIES

## MID-MOUNT RIDING ACCESSORIES

CUSTOM RIDE SEAT SUSPENSION SYSTEM	OPERATOR CONTROLLED DISCHARGE
FULL SUSPENSION SEAT	ROLL OVER PROTECTION SYSTEM (ROPS)
DECK LIFT ASSIST KIT	SUN SHADE
HITCH KIT	TRASH CONTAINER
LIGHT KIT	TURF STRIPER
12V POWER PORT	ULTRA VAC COLLECTION SYSTEM
MICRO-MULCH SYSTEM	ULTRA VAC QUICK DISPOSAL SYSTEM

## OUT-FRONT RIDING ACCESSORIES

CUSTOM RIDE SEAT SUSPENSION SYSTEM	SNOW BLADE
DUAL-TAIL WHEEL	SNOWBLOWER
FLOOR PAN EXTENDER	SUN SHADE
HITCH KIT	TRASH CONTAINER
LIGHT KIT	ULTRA VAC COLLECTION SYSTEM
MICRO-MULCH SYSTEM	ULTRA VAC QUICK DISPOSAL SYSTEM
ROLL OVER PROTECTION SYSTEM (ROPS)	WEATHER CAB

## WALK-BEHIND ACCESSORIES

GRASS CATCHER	TURF STRIPER
MICRO-MULCH SYSTEM	STANDON

Place Model No. and Serial No.  
Label Here (Included in the Literature  
Pack or Fill in Below

Model No. \_\_\_\_\_

Serial No. \_\_\_\_\_

Date Purchased \_\_\_\_\_

Engine Model No. and Spec. No. \_\_\_\_\_

Engine Serial No. (E/No) \_\_\_\_\_

© 2009 Exmark Mfg. Co., Inc.  
Industrial Park Box 808  
Beatrice, NE 68310  
All Rights Reserved

Part No. 4500-353 Rev. A  
(402) 223-6300  
Fax (402) 223-5489  
Printed In USA.



[www.exmark.com](http://www.exmark.com)